



MODEL	VOLTAGE	WATTAGE	COLOR TEMP.
SL-10W-MCT-D	120V AC	10W	3000K/4000K/5000K
SL-20W-MCT-D		20W	3000K/4000K/5000K
SL-30W-MCT-D		30W	3000K/4000K/5000K

Before installing, please read the entire instructions carefully and save them for future reference. Failure to follow any of these instructions could void product warranties.

WARNING

IMPORTANT SAFETY INSTRUCTIONS:

1. To reduce the risk of death, personal injury, or property damage from fire, electric shock, falling parts, cuts/abrasions, and other hazards please read all warnings and instructions included with and on the fixture box and all fixtures labels.
2. Before installing, servicing, or performing routine maintenance upon this equipment, follow these general precautions.
3. Commercial installation, service, and maintenance of luminaires should be performed by a qualified licensed electrician.
4. For Residential installation: If you are unsure about the installation or maintenance of the luminaires, consult a qualified licensed electrician and check your local electrical code.
5. Maintenance of the luminaires should be performed by person(s) familiar with the luminaires' construction and operation and any hazards involved. Regular fixture maintenance programs are recommended.
6. This fixture is intended to be connected to a properly installed and grounded UL-listed junction box.
7. It will occasionally be necessary to clean the outside of the refractor/ lens. Refractor/lens should be washed in a solution of warm water and any mild, non-abrasive household detergent, rinsed with clean water, and wiped dry. Should optical assembly become dirty on the inside, wipe refractor/lens and clean in the above manner, replacing damaged gaskets as necessary.
8. DO NOT INSTALL DAMAGED PRODUCTS! This luminaire has been properly packed so that no parts should have been damaged during transit. Inspect to confirm. Any part damaged or broken during or after assembly should be replaced.
9. These instructions do not purport to cover all details or variations in equipment nor to provide every possible contingency to meet in connection with installation, operation, or maintenance.

WARNING RISK OF ELECTRIC SHOCK:

1. Disconnect or turn off the power before installation or servicing.
2. Verify that supply voltage is correct by comparing it with the luminaire label information.
3. Make all electrical and grounded connections following the National Electrical Code (NEC) and any applicable local code requirements.
4. All wiring connections should be capped with UL-approved wire connectors.

CAUTION RISK OF INJURY:

1. Wear gloves and safety glasses at all times when removing luminaire from the carton, installing, servicing, or performing maintenance.
2. Avoid direct eye exposure to the light source while it is on.

CAUTION RISK OF FIRE:

1. Keep combustible and other materials that can burn, away from lamp/ lens.
2. Do not operate in close proximity to persons, combustible materials or substances affected by heat.

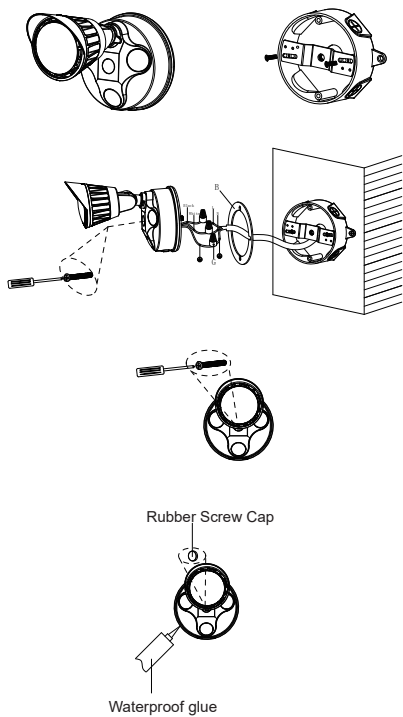
WARNING RISK OF BURN

1. Allow lamp/fixture to cool before handling. Do not touch enclosure, lens, or light source.
2. Do not exceed the maximum wattage marked on the luminaire label.
3. Follow all manufacturer's warnings, recommendations and restrictions including but not limited to: driver type, burning position, mounting locations/methods, replacement, and recycling.
4. Use only lamps that comply with ANSI standards.

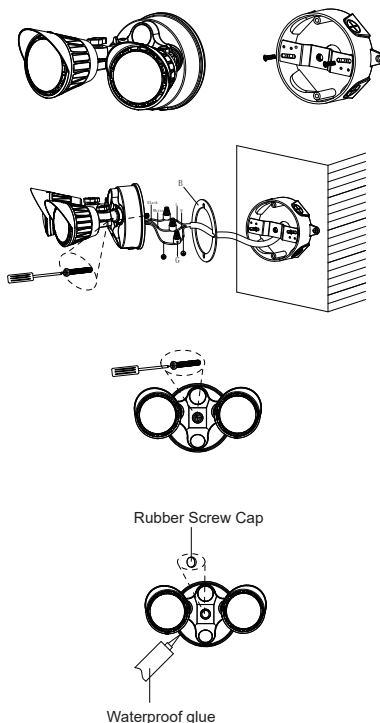


INSTALLATION

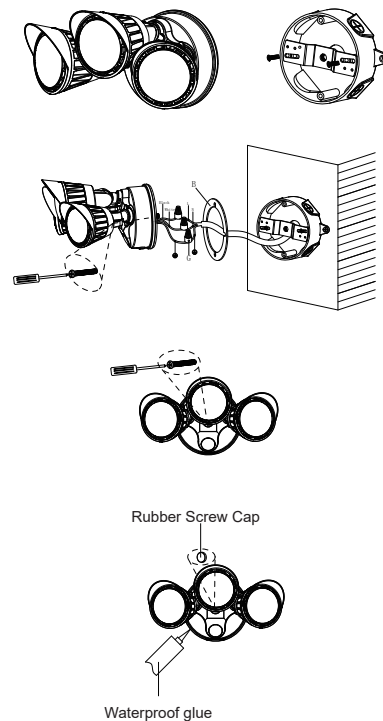
1



2



3



1

Install cross bar to your junction box by using screws from the accessory bag

Note: Make sure power is turned off

2

To Connect supply wires:

- Connect the white wire to the white
- Connect the black wire to the black
- Connect the yellow or green wire to the yellow or green

Note: Do not cut or remove any connectors on the wire to make sure the positive and negative connections are correct

3

To Install fixture:

- Insert mounting screw into center hole of fixture housing. Align fixture over j-box and secure to cross bar by tightening mounting screw

Note: Make sure no wires are pinched before tightening. Cover center hole in fixture housing with rubber plug (included in accessory bag)

4

Apply silicone caulking (not included) around the perimeter of the fixture back where it contacts the mounting surface for moisture seal!

